

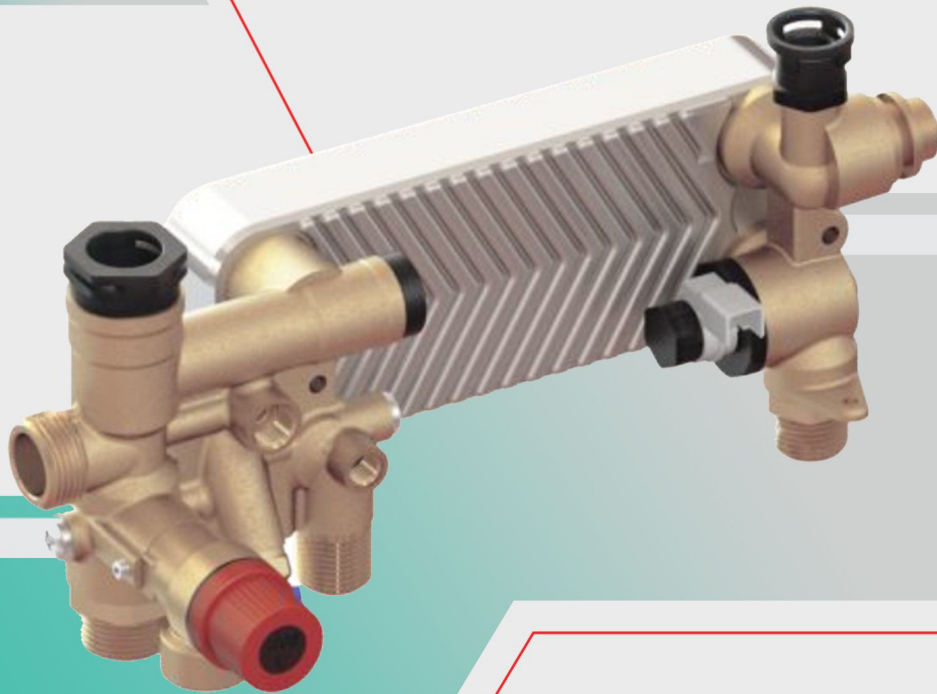
HYDROBLOCK VALVE

Hydraulic Groups



TECHNICAL SPECIFICATIONS

- Fully brass hydraulic group with side pump connection, designed for combi-type heating devices.
- Compatible with all circulation pump make and models
- Suitable to be used with on/off and stepper type 3WV actuators.
- Standard content of delivery includes flow and return blocks with DHW filter
- Flow regulator as per customer request
- Radial type turbine flow meter with Hall effect sensor manual filling tap
- 3WV cartridge, brass or plastic 3 bar 1/2" pressure relief valve, 1/2" and 3/4" brass connection.



TECHNICAL FEATURES

Material:

CuZn40Pb2 (CW617N)

Flow Regulator:

6 to 22 (lt./min.)

Flow Detection:

Turbine Type Flowmeter with Hall Effect Sensor

By-Pass:

Through PHE

Pressure Relief Valve:

3 bar

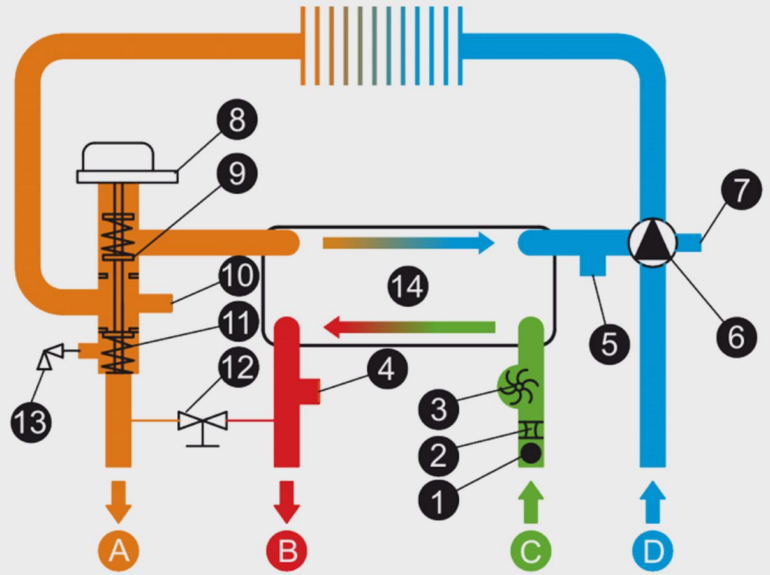
Pump Connection:

Side



TECHNICAL DRAWINGS

- A:** Heating Delivery CH
- B:** Sanitary Water Outlet DW
- C:** Sanitary Water Inlet DW
- D:** Heating Return CH



- 1.** DHW Filter
- 2.** Flow Regulator
- 3.** Flow Sensor
- 4.** NTC Sensor Connection
- 5.** Pressure Switch/Sensor Con.
- 6.** Circulation Pump
- 7.** Expansion Vessel Connection
- 8.** 3 Way Valve Motor
- 9.** Automatic Bypass
- 10.** Pressure Gauge Conn.
- 11.** 3 Way Valve
- 12.** Filling Tap
- 13.** Safety Valve
- 14.** Plate Heat Exchanger

